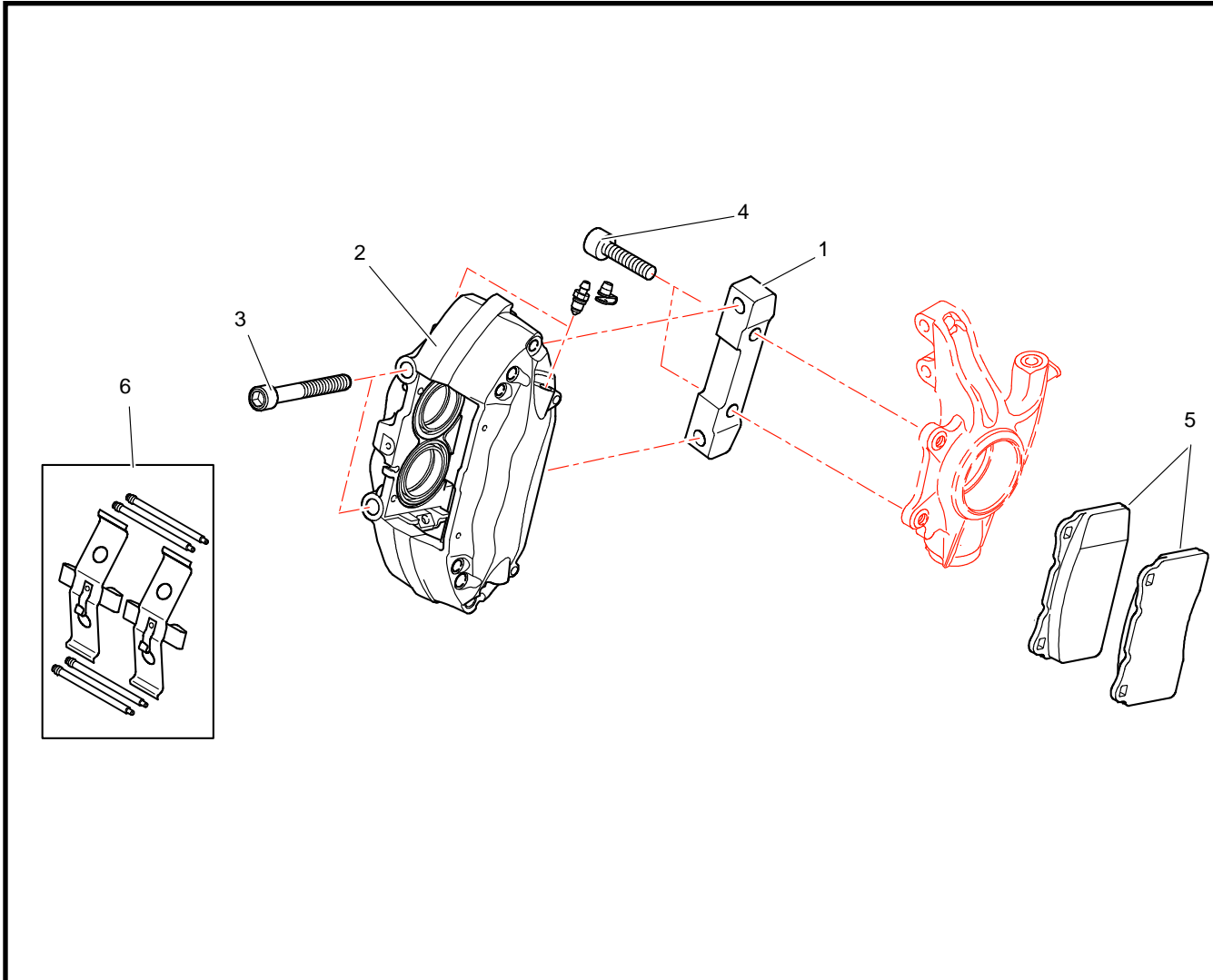



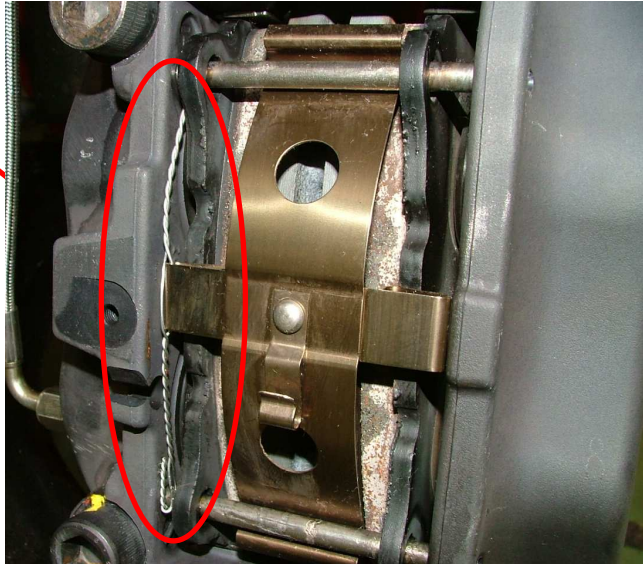


**F21 : TARMAC FRONT CALIPERS**

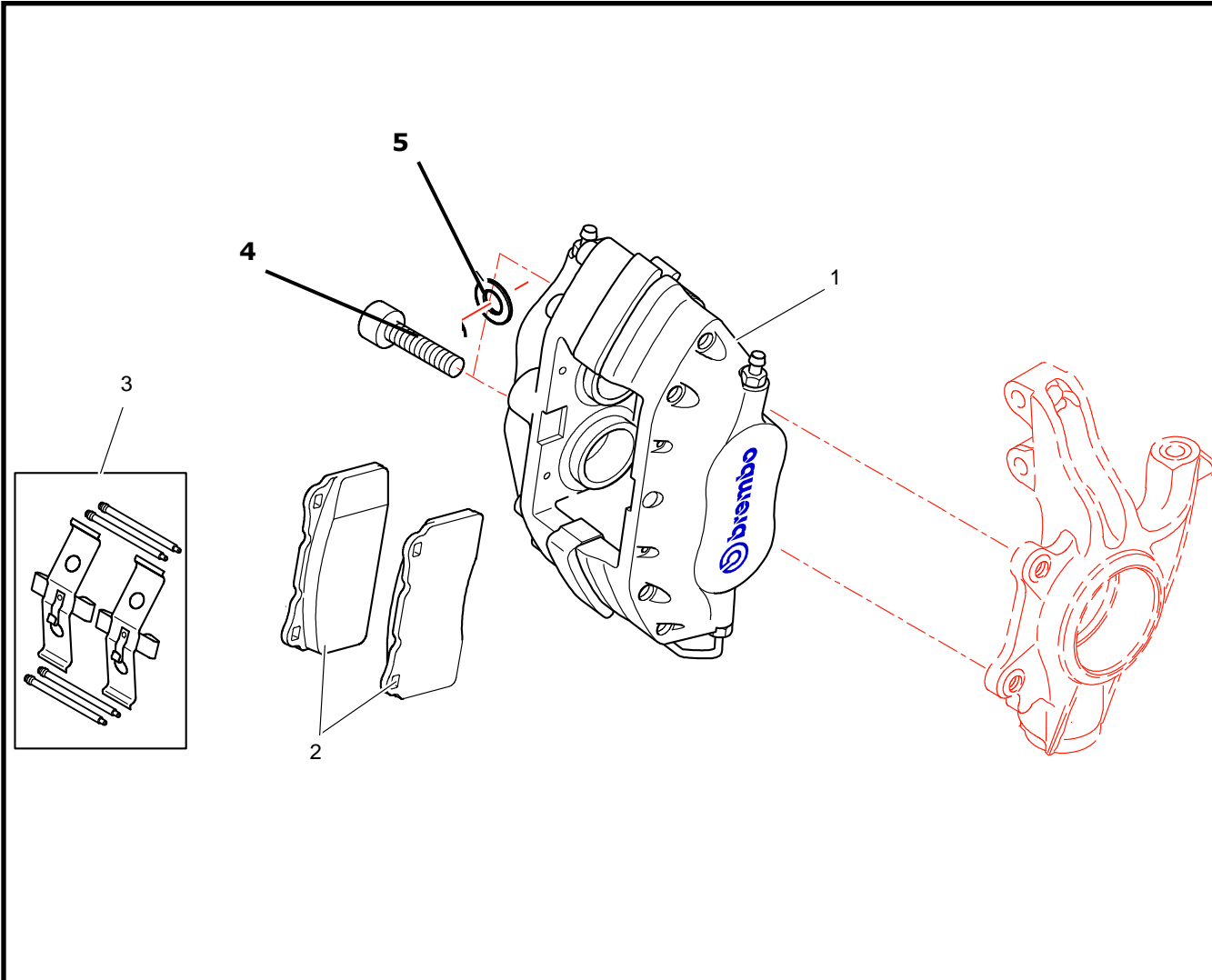


REF	PART NUMBER	QTY	DESCRIPTION
1	1F2161006C	2	Front caliper mounting
2	BCSP4401F4	1	Brembo tarmac left front caliper
2	BCSP4401F5	1	Brembo tarmac right front caliper
3	CS530130ST	4	M14 lg100 cl12.9 alen screw
4	CS530145ST	4	M12 lg45 cl12.9 alen screw
5	1F2161317A	1	Pagid RS15 tarmac pads set
6	BCSP4427C0	1	Fitting pads set

**FRONT CALIPER ASSEMBLY**

	<p>Front caliper mounting screws torque (ref 4)</p>	<p><b>10 m.kg + Loctite 270</b></p>
	<p>Front caliper screws torque (ref 3)</p>	<p><b>8 m.kg</b></p>
<p><b>A</b></p>	<p>Add a lock wire to the pads retainer axes.</p> <p><b>Nota :</b> certains versions of retainer axes can be deprived of holes. Follow measurements below to do it.</p> <div style="text-align: center;">  <p><b>18 mm</b></p> </div> <div style="text-align: center;">  <p><b>ø1,5 mm to 2 mm maxi</b></p> </div>	

**F21 : GRAVEL FRONT CALIPERS**



REF	PART NUMBER	QTY	DESCRIPTION
1	BCSP4401C0	1	Brembo gravel left front caliper
2	BCSP4401C1	1	Brembo gravel right front caliper
2	1F2161421A	1	Ferodo DS3000 gravel front pads
3	BCSP442785	1	Fitting pads set
4	CS530191ST	4	M12 L40 CI12.9 alen screw
5	PS86511A10	4	Ø12 B type Onduflex washer
6			
7			
8			
9			
10			
11			
12			
13			
14			

**F21 : GRAVEL FRONT CALIPERS**



Front caliper screws torque (ref 4)

**10 m.kg +  
Loctite 270**

**A**

Add a lock wire to the pads retainer axes.

**Nota :** certains versions of retainer axes can be deprived of holes. Follow measurements below to do it.

**ø1,5 mm to 2 mm maxi**

